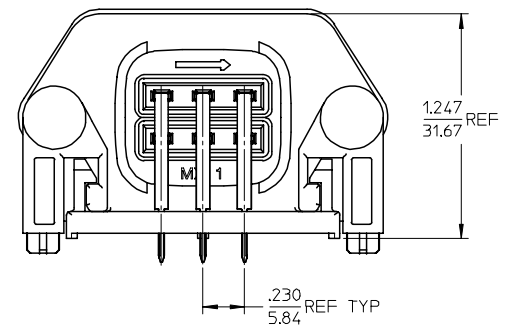
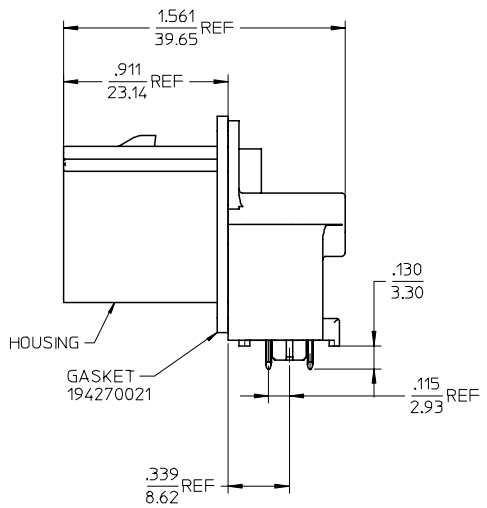
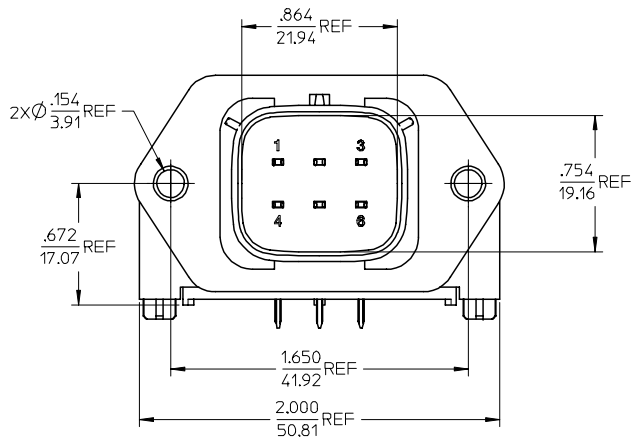
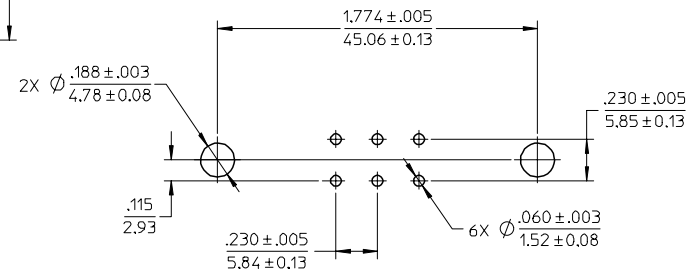
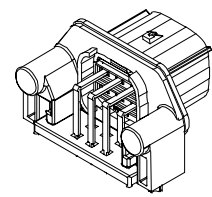
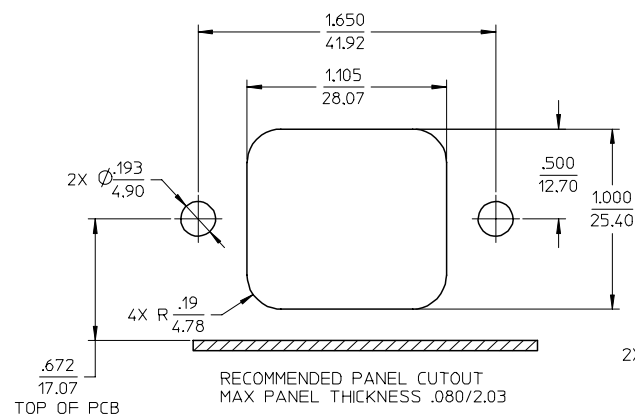
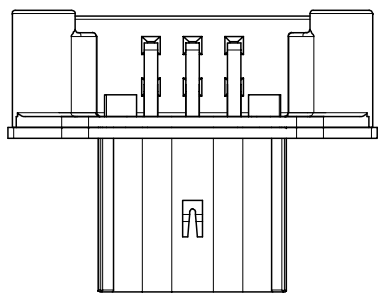


13 12 11 10 9 8 7 6 5 4 3 2 1

J
I
H
G
F
E
D
C
B
A



NOTES:

- MATERIALS:
HOUSING: POLYESTER (PBT), GLASS FILLED, UL94 V-0,
COLOR: BLACK
TERMINALS: COPPER ALLOY
- FINISHES: 1. TIN ONLY; 100µM TIN OVER 50µM NICKEL
2. TIN/GOLD: 30µM SELECT GOLD (CONTACT MATING AREA),
100µM SELECT TIN (PCB TAIL AREA) OVER 50µM NICKEL OVERALL.
- PRODUCT SPECIFICATION: PS-19427-001.
- PACKAGING SPECIFICATION: PK-19427-001.
- MATES WITH: 19418 SERIES RECEPTACLE ASSEMBLIES.
- RECOMMENDED MOUNTING HARDWARE: (2) #10 X .62/18.9 LONG PLASTIC
THREAD CUTTING SCREWS. RECOMMENDED TORQUE 15-17 IN-LBS.
SUGGESTED SOURCE: ITW SHAKEPROOF INDUSTRIAL BOSSCREW OR EQUIVALENT.

MATERIAL NO.	PLATING
194270018	TIN
194270106	SELECT GOLD/TIN

REVISED	DESCRIPTION
FC NO: ETC2006-0028	
DRWN: JPWL CK	2005/10/10
CHKD: JPWL CK	2005/10/11
APPR: RDEROSS	2005/10/11

QUALITY SYMBOLS	GENERAL TOLERANCES (UNLESS SPECIFIED)
▽=0	
▽=0	
	mm INCH
4 PLACES ± --- ± ---	
3 PLACES ± --- ± .015	
2 PLACES ± .38 ± ---	
1 PLACE ± --- ± ---	
	ANGULAR ±1/2°

DRAWN BY	DATE	TITLE
JLOMASTR	04/07/07	
CHECKED BY	DATE	
JPWL CK	04/07/09	
APPROVED BY	DATE	
RDEROSS	04/07/15	

SCALE	DESIGN UNITS	THIRD ANGLE PROJECTION
2:1	INCH	
6 WAY RIGHT ANGLE HEADER ASSEMBLY		
MOLEX INCORPORATED		
MATERIAL NO.	DOCUMENT NO.	SHEET NO.
SEE CHART	SD-19427-021	1 OF 1
DRAFT WHERE APPLICABLE MUST REMAIN WITHIN DIMENSIONS		
THIS DRAWING CONTAINS INFORMATION THAT IS PROPRIETARY TO MOLEX INCORPORATED AND SHOULD NOT BE USED WITHOUT WRITTEN PERMISSION		

12 11 10 9 8 7 6 5 4 3 2 1